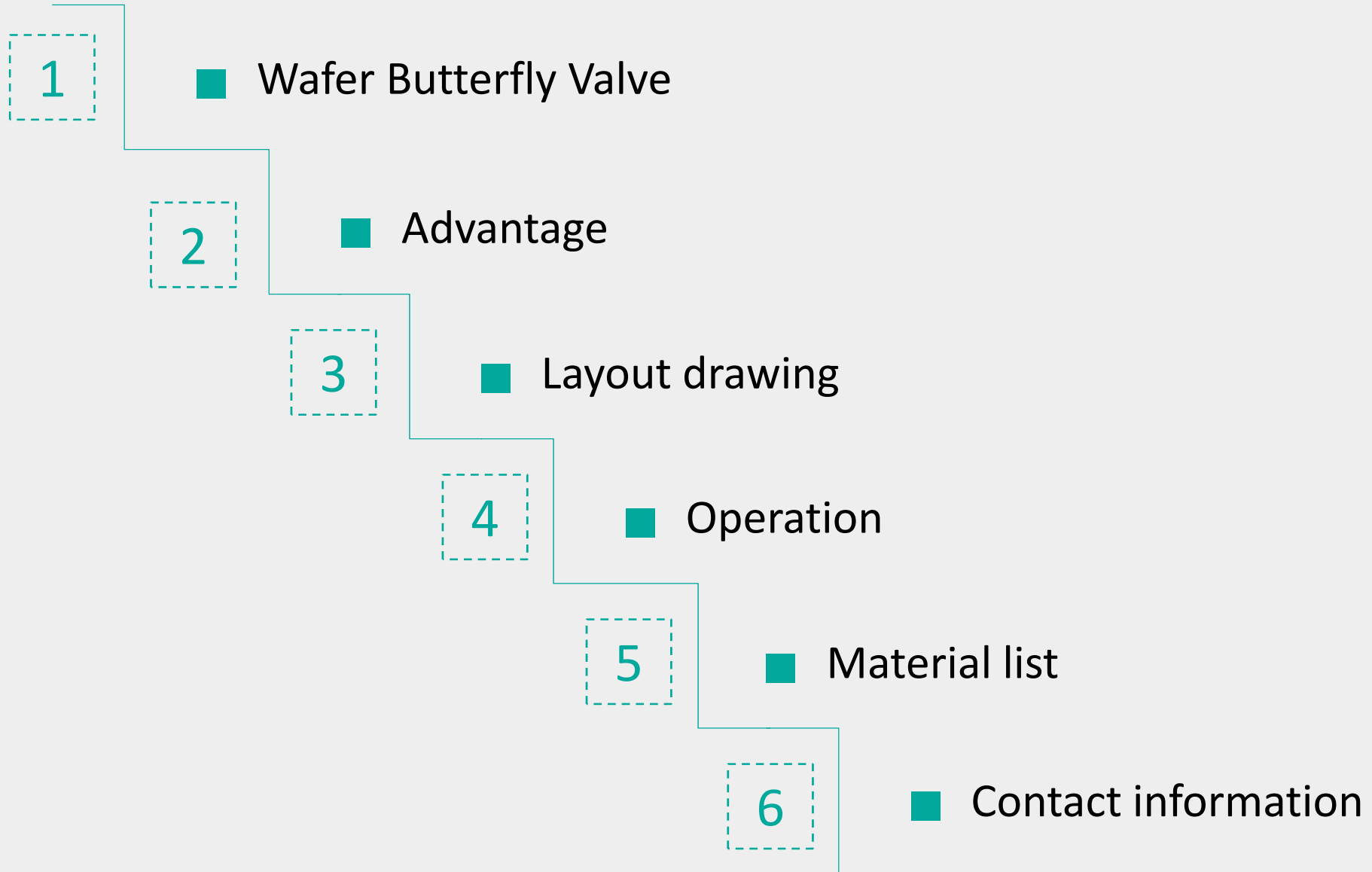




Wafer Butterfly Valve

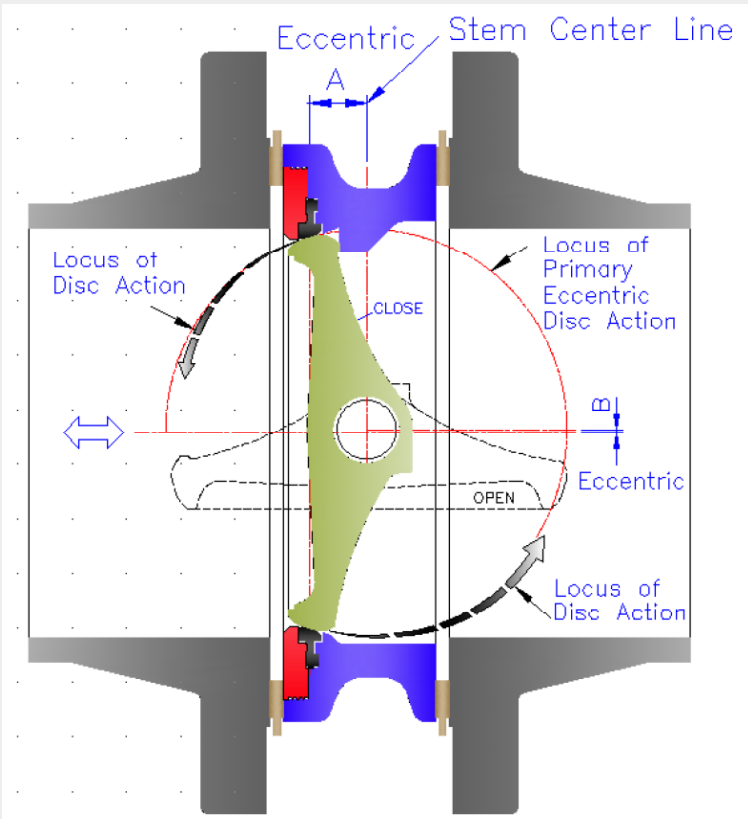


Wafer Butterfly Valve



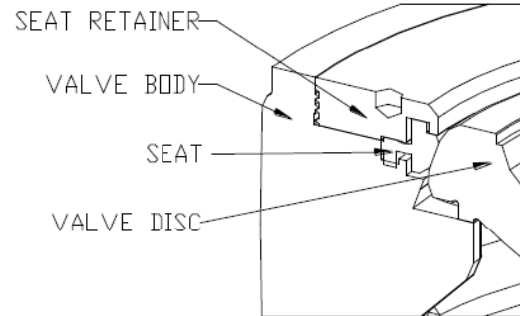
1. High Performance double eccentric
2. Bi-directional
3. EPDM sealing ring
4. Simple maintenance.
5. Change of seat ring by dismantling of the retaining ring only.
6. Wide variety of seat materials available.

Advantages



Double eccentric

This design makes the disc move back and away from the body seat during the opening movement.

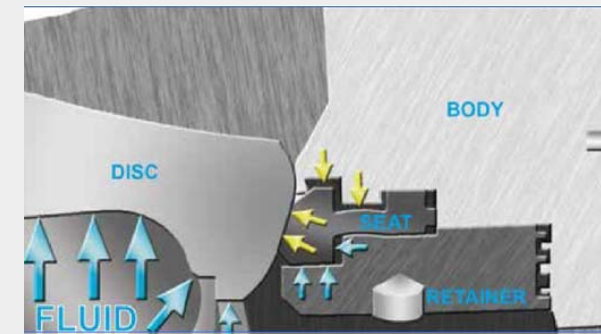


EPDM sealing ring

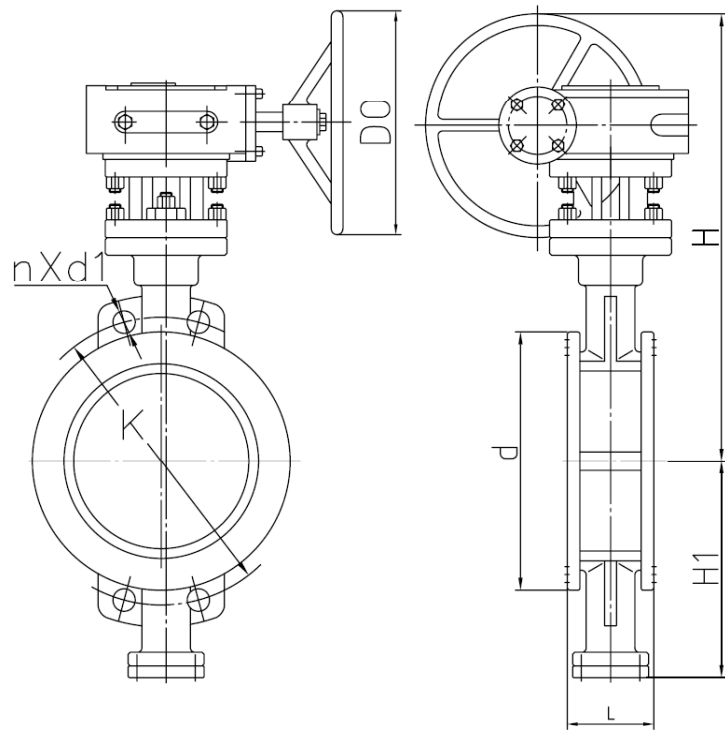
The double eccentric design decreases the seat friction, which results in an extension of the valves life span and lower operating torques. If repair is needed the seat can be replaced easily without removing the valve shaft.

Bi-directional

Bi-directional, but do have a preferred flow direction. It's however strongly recommended to install the valves in the preferred flow direction



Layout Drawing



Main Standard

Design: JB/T8527

Flange: GB/T9113

Structure: GB/T12221

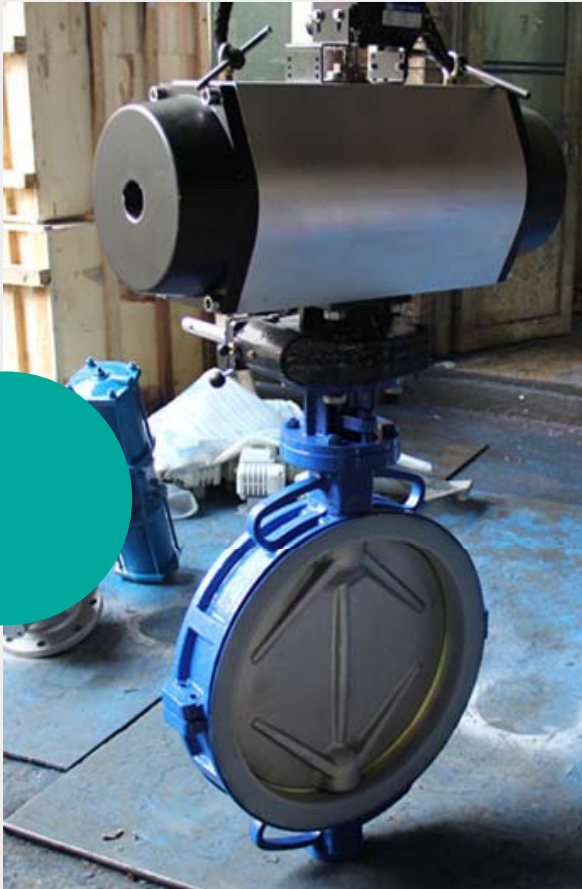
Inspection: GB/T13927

Quality & Inspection: ISO9001

Dimension

| PN (MPa) | DN (mm) | Dimensions (mm) | | | | | | | | |
|-------------|------------|-----------------|------------------|----------------|----------------|----------------|------|-----|-----|----------------|
| | | L ₁ | L ₁ ' | L ₂ | L ₃ | H ₀ | H | A | B | D ₀ |
| 0.6 1.0 | 65 | 112 | 170 | 170 | 46 | 180 | 290 | 63 | 140 | 180 |
| | 80 | 114 | 180 | 180 | 49 | 190 | 320 | 63 | 140 | 180 |
| | 100 | 127 | 190 | 190 | 56 | 198 | 342 | 63 | 140 | 240 |
| | 150 | 140 | 210 | 210 | 70 | 246 | 415 | 63 | 140 | 240 |
| | 200 | 152 | 230 | 230 | 71 | 298 | 470 | 84 | 170 | 300 |
| | 250 | 165 | 250 | 250 | 76 | 328 | 535 | 84 | 170 | 300 |
| | 300 | 178 | 270 | 270 | 83 | 365 | 606 | 108 | 200 | 400 |
| | 350 | 190 | 290 | 290 | 92 | 408 | 695 | 108 | 200 | 400 |
| | 400 | 216 | 310 | 310 | 102 | 446 | 755 | 128 | 240 | 400 |
| | 450 | 222 | 330 | 330 | 114 | 475 | 815 | 152 | 240 | 600 |
| | 500 | 229 | 350 | 350 | 127 | 525 | 905 | 168 | 300 | 600 |
| | 600 | 267 | 390 | 390 | 154 | 610 | 1050 | 320 | 192 | 600 |
| | 700 | 292 | 430 | 430 | 165 | 795 | 1276 | 237 | 192 | 350 |
| | 800 | 318 | 470 | 470 | 190 | 837 | 1384 | 237 | 168 | 350 |
| | 900 | 330 | 510 | 510 | 203 | 885 | 1500 | 237 | 168 | 350 |
| | 1000 | 410 | 550 | 550 | 216 | 946 | 1620 | 785 | 30 | 450 |
| | 1200 | 470 | 630 | 630 | 254 | 1165 | 2185 | 785 | 30 | 450 |
| | 1400 | 530 | 710 | 710 | 279 | 1310 | 2315 | 785 | 30 | 450 |
| | 1600 | 600 | 790 | 790 | 318 | 1440 | 2675 | 785 | 30 | 450 |
| | 1800 | 670 | 870 | 870 | 356 | 1580 | 2920 | 865 | 50 | 600 |
| 2000 | 760 | 950 | 950 | 406 | 1725 | 3170 | 865 | 50 | 600 | |

Operations

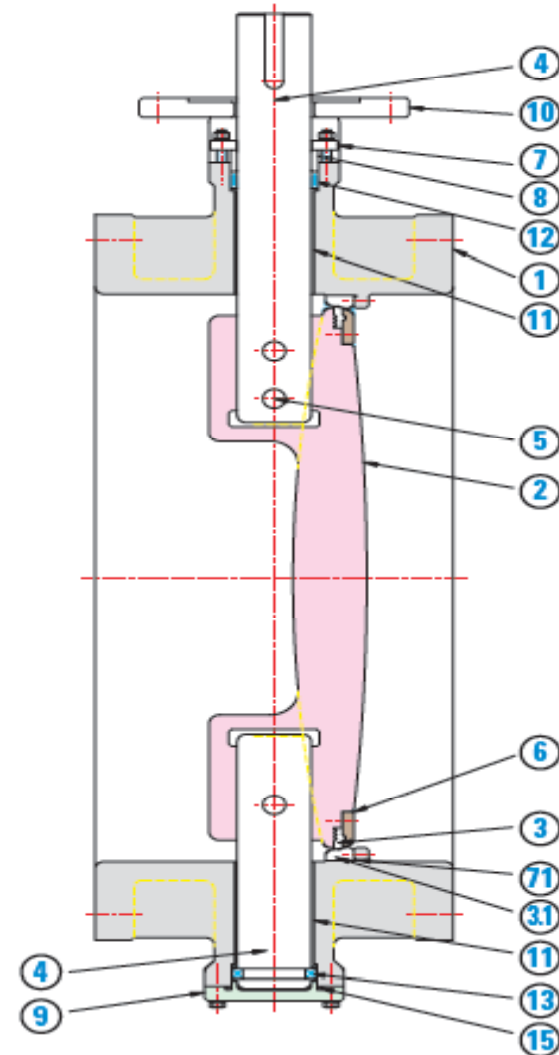


The following operation of the valve is available, the choice depending upon the valve location and the type of work and service for which the valve is used.

- Manual lever operation
- Manual worm gear operation
- Single or double acting pneumatic actuator operation
- Hydraulic actuator operation
- Electric motor actuator operation

Material list

| NO. | PART NAME | MATERIAL |
|-----|------------------|---|
| 1 | BODY | DUCTILE IRON / CAST STEEL STAINLESS STEEL / NI-AL BRONZE |
| 2 | DISC | DUCTILE IRON / CAST STEEL STAINLESS STEEL / NI-AL BRONZE |
| 3 | SEAT | NBR / EPDM / VITON |
| 3.1 | BODY SEAT | STAINLESS STEEL / NI-AL BRONZE |
| 4 | STEM | STAINLESS STEEL / MONEL |
| 5 | DISC PIN | STAINLESS STEEL / MONEL |
| 6 | RETAINER | STAINLESS STEEL / NI-AL BRONZE |
| 7 | PACKING GLAND | DUCTILE IRON / CAST STEEL STAINLESS STEEL / NI-AL BRONZE |
| 8 | GLAND RING | BRONZE / STAINLESS STEEL |
| 9 | BOTTOM COVER | DUCTILE IRON / CAST STEEL STAINLESS STEEL / NI-AL BRONZE |
| 10 | STAND | CARBON STEEL / CAST STEEL DUCTILE IRON / STAINLESS STEEL |
| 11 | STEM BEARING | STAINLESS STEEL / BRONZE / OILLESS BEARING |
| 12 | V-PACKING | NBR / EPDM / VITON |
| 13 | THRUST PLATE | BRONZE / STAINLESS STEEL |
| 15 | BOTTOM O-RING | NBR / EPDM / VITON |
| 71 | BODY SEAT O-RING | NBR / EPDM / VITON |



Zhengzhou Pump Valve

Welcome to Zhengzhou Pump Valve Co., we are one of the leading manufacturer and solution provider in industrial valves in thermal /hydro power plants, dams ,oil & gas, metallurgy, petrochemical, desulfurization ,water treatment industries etc.

With strong technical force , we honored national high-tech enterprises, the State Torch Program, the National Innovation Fund project units .What's more, we are drafting the national standard of steam turbine with a quick-closing valve and hydraulic control valve of inlet turbine. So far, our R&D center with more than 20 national patents and software copyright licenses.

For more than 20 years, ZhengZhou has focused on helping our customers to become better, more efficient processors. Our current family of advanced technologies are all designed specifically to improve throughput, increase quality, reduce scrap and streamline processing.

For decades, based on our extensive know-how and continuous innovation of products and solutions, we are driven to fulfill this commitment to all our current and future customers.



Contact information

ZHENGZHOU PUMP VALVE MFG CO.,LTD.



Email: info@zzcontrols.com

- Founded in 1995
- National Hi-tech enterprise
- The National Innovation Fund project units
- Zhejiang high-tech R & D center
- The State Torch Program
- >20 national patents and software copyright licenses
- Drafting national standard of steam turbine quick shut-off valve and hydraulic control butterfly valve
- ISO14001, ISO9001, OHSAS18001
- TS national pressure piping safety certificate

Address: He'san industrial area, Dong'ou District,
Wenzhou, Zhejiang,China
Tel: +86-577-57670925
Fax:+86-577-57755505
Website:www.zzcontrols.com

THANK YOU